

fry top smooth 18 kW

## G9I200G



fry top smooth 18 kW

### G9I200G

#### **Short Form Specification**

Name: \_\_\_\_\_

Item: \_\_\_\_\_

Model: \_\_\_\_\_

### Main Features

- Stainless steel body
- Easy to clean and hygienic
- Ergonomic design
- Adjustable legs
- Long life
- High efficiency burner
- Available LPG or natural gas

#### PRODCUT HIGHLIGHTING DETAILS

- Smooth, ribbed and ½ smooth + ½ ribbed fry top plates versions
- Fry top with cupboard
- ST 52 steel or hard chromium coated steel 15 mm thick griddle plate
- Cooking surface perimeter is 3 mm thick stainless steel
- Stainless steel oil collection drawer is placed in cupboard
- Slightly sloped cooking surface, easy and convenient for cleaning, with liquid discharge hole.
- Homogenous heated cooking surface
- Special machined grooves
- Waste oil drawer
- Thermostatic temperature control
- Thermocouple safety device connected to the burner
- Piezo-electric burner ignition
- Double independent cooking surface
- Insulation to prevent overheating of the body and reduce energy losses
- Operating temperature range (50-300 ° C)

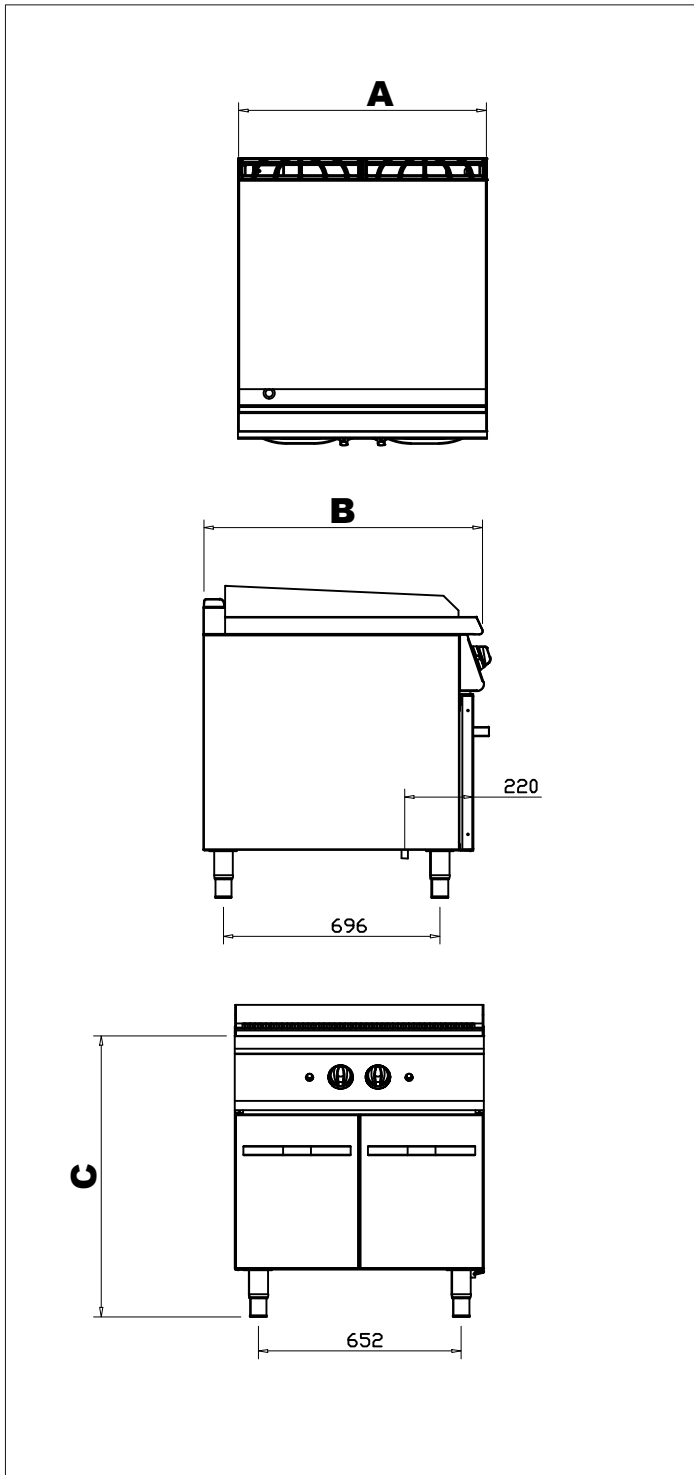
### Construction

APPROVAL: \_\_\_\_\_

# KUSINA

fry top smooth 18 kW

## G9I200G



Code	G9I200G
Width (A)	800
Dept (B)	900
Hight (C)	900
Gas Inlet	R 1/2"
Power	18 kW
Weight (kg)	152
Volume (m³)	1,05

CE

All rights reserved.